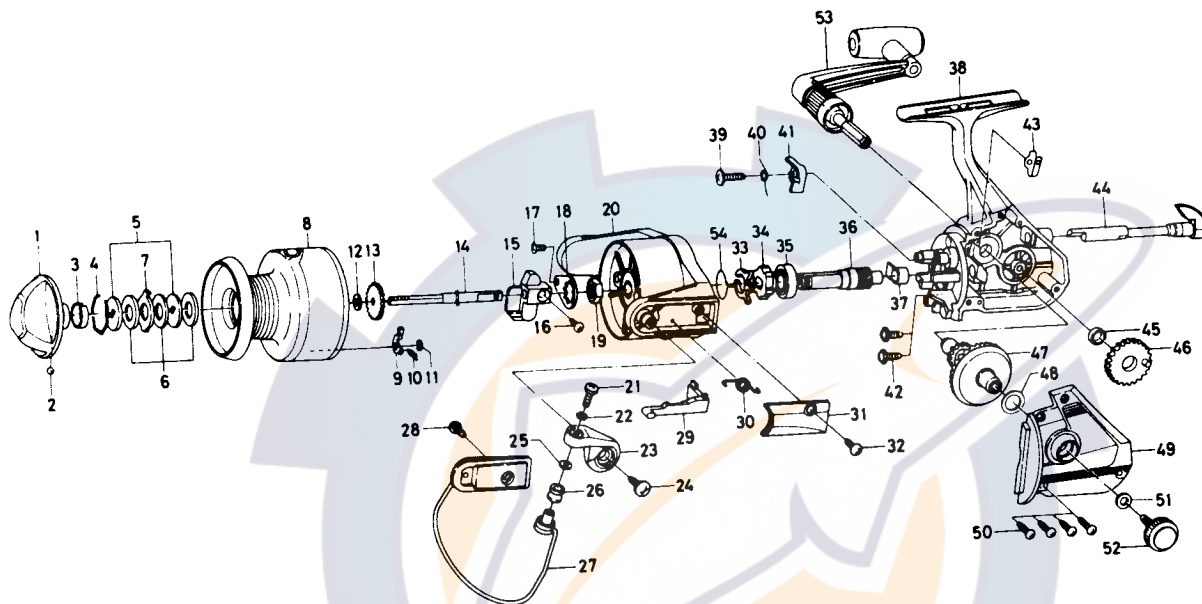


6LY324012



Please order by part number, not key number.

SPINNING REEL EL2600/4000X



No. 4-11 L13-5101 Spool assembly

Key No.	Parts No.	Parts Name
1	E50-9701	Drag knob
2	635-4701	Click ball
3	B32-8701	Click leaf spring
4	171-7701	Drag washer retainer
5	L03-1301	Key washer
6	373-3712	Drag washer
7	B89-9501	Eared washer
8	L13-5201	Spool assembly
9	B07-8201	Click pawl
10	145-2101	Click spring
11	320-1402	Click retainer
12	L10-4901	Spool washer
13	L02-1401	Click gear
14	L10-7301	Main shaft
15	L10-6601	Oscillating slider
16	351-8901	Oscillating slider screw
17	L01-1702	Rotor nut holding plate screw
18	B02-1601	Rotor nut holding plate
19	340-8301	Rotor nut
20	L10-6307	Rotor
21	353-9702	Line roller screw
22	160-8101	Lock washer
23	L10-5001	Bail arm
24	E00-7602	Bail arm screw
25	373-4501	Line roller washer
26	250-4221	Line roller
27	L13-1701	Bail assembly
28	L01-1701	Bail trip cam screw
29	L10-6901	Bail trip lever
30	L06-7001	Bail spring
31	L10-5101	Bail spring cover
32	E36-4201	Bail spring cover screw

Key No.	Parts No.	Parts Name
33	L06-6801	Anti-reverse pawl spring A
34	L09-1401	Anti-reverse ratchet
35	L03-6401	Ball bearing
36	L10-7701	Pinion gear
37	B88-0001	Pinion collar
38	L13-4901	Body assembly
39	L06-6501	Anti-reverse pawl screw
40	L13-7201	Anti-reverse pawl spring B
41	L06-6301	Anti-reverse pawl
42	L01-1601	Bearing retainer screw
43	E01-1801	Anti-reverse cam spring
44	L10-0707	Anti-reverse lever
45	B47-4101	Oscillating gear collar
46	L11-7001	Oscillating gear
47	B78-9501	Drive gear
48	371-2800	Drive gear washer
49	L13-5001	Side cover
50	B83-5001	Side cover screw
51	L02-2301	Handle lock washer
52	L00-9101	Handle lock screw
53	L02-4201	Handle assembly
54	F21-2001	Anti-reverse pawl spring C

Key No.	Special parts	Parts Name
4-11	L13-5301	Spool assembly
8	L13-5401	Spool assembly
20	L10-7007	Rotor
27	L13-2401	Bail assembly
29	L10-7101	Bail trip lever
38	L13-4902	Body assembly
49	L13-5002	Side cover